

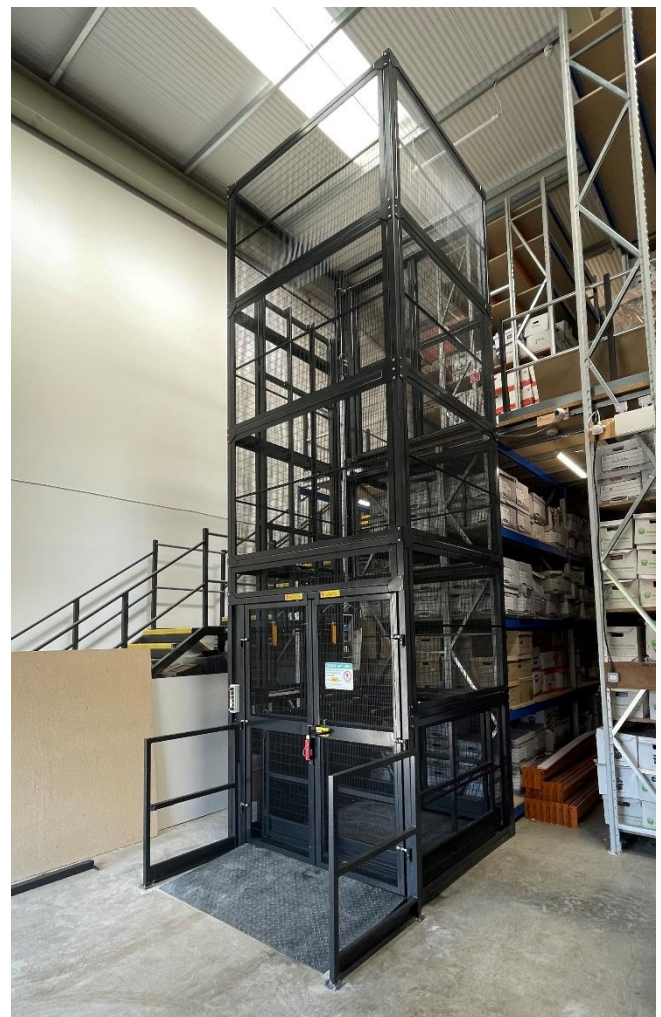
NEW

REACH GOODS LIFT

 ELEVATION

REACH

- + High quality, robust construction, designed and manufactured in the UK.
- + Freestanding design.
- + Quick to install due to modular framework in 1-2 days.
- + Fast delivery 2-4 weeks from order to installation.



KEY FEATURES

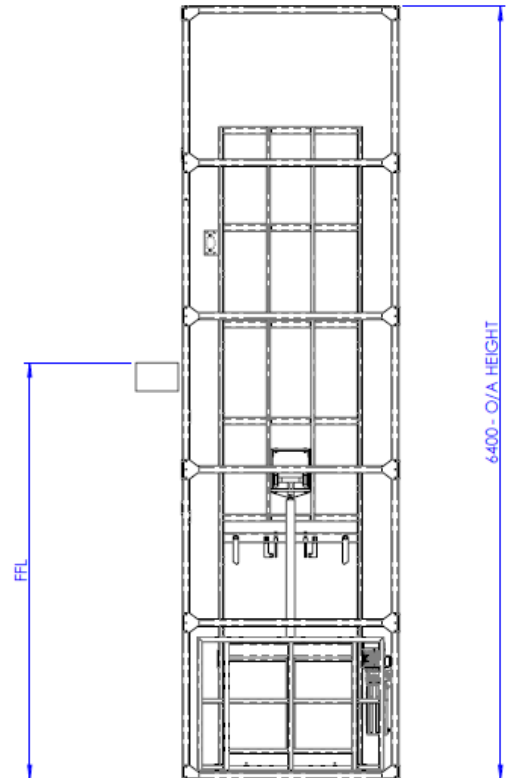
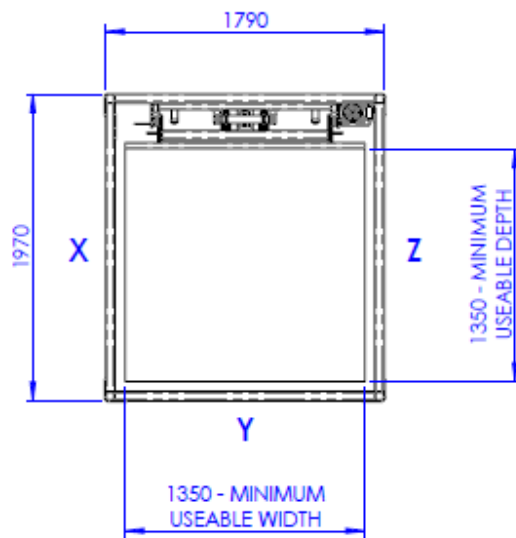
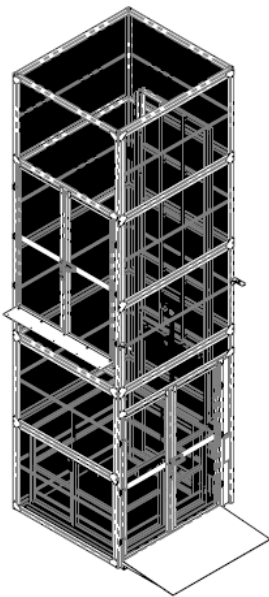
- Maximum lift height between 3-4 meters.
- Usable platform size 1350 x 1350mm.
- Loading access available on any 3 sides.
- Full height mesh enclosure with electro-mechanical interlocked and handrails
- Ramp or pit mounted.
- Pre-fitted controls

TECHNICAL SPECIFICATION

REACH²⁵ REACH⁵⁰

Capacity	Usable Platform Length (mm)	Usable Platform Width (mm)	Lift Height (mm)	Reference
250KG	1350	1350	< 4000	REACH25
500KG	1350	1350	< 4000	REACH50

- Mezzanine floor goods only lift with operator access for loading and unloading.
- Located indoors in an area with no public access and to be used by trained operators only. 415v 3 phase power supply required with a 16amp isolator (by others)
- Lift speed (generally approximately 100mm/s)
- Duty cycle up to 10 cycles per hour on a single shift basis
- Door access height 2100mm.
- Automatic one-touch controls



Further optional extras and fully bespoke lift specifications are available on request. Please contact sales@advancedhandling.co.uk to discuss your requirements.

